

Breaking New Ground

TLB 818 Backhoe Loader

- Fuel Efficient 92hp Perkins Engine
- Center Mount Chassis
- With Smart UC Hydraulics for Low Fuel Consumption
- Highly Reliable Carraro Axle Transmission
- Larger Standard Front Wheels
- Covered, Protected and Well Routed Hoses
- Ergonomically Designed Large & Wide Cabin
(Optional - AC Cabin / Canopy Design)



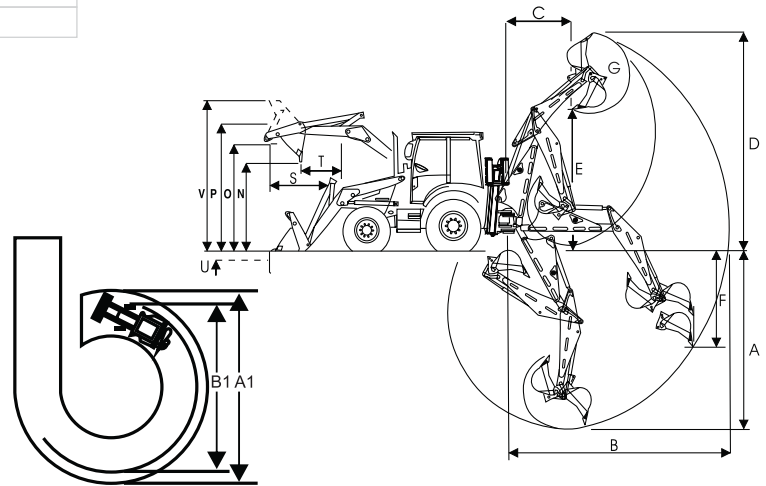
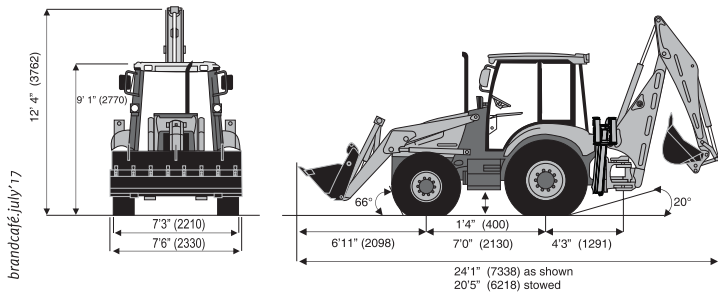
MANITOU
HANDLING YOUR WORLD

Technical Specifications

TLB 818

Engine			
Perkins 1104C - 44T Turbo Charged Water Cooled Tier - II Engine			
Gross Power	68.5 KW (92HP) @ 2200 RPM		
Capacity	4.4 ltr		
Torque Max.	395 NM @ 1350 RPM		
Hydraulics			
Maximum Flow (both pumps)	145 (81+64) LPM @ 2200 RPM		
Main Relief Pressure	3250 PSI (225 bar)		
Dual Work Modes: Economy and Power, by selection of twin vs single pump			
Transmission			
Carraro transmission, Four Speed (4 Forward, 4 Reverse gear) Synchro shift reversing shuttle transmission, with modulated clutch packs			
Two Wheel Drive is standard (Four Wheel Drive optional)			
Torque Converter Stall Ratio	3.01:1		
Axle			
Rear Drive Axle rigidly mounted with out board planetary final drives for easy maintenance			
Front-steer Axle with 16° oscillation for maximum ground contact in undulated conditions			
Electrical System			
12V and 75A system with water and dust proof connectors and 130AH low maintenance battery			
Brakes			
Self-actuating and self-adjusting, high capacity, sealed, wet disc brakes, maintenance free			
Tyres			
	Standard Traction	Optional / Heavy Duty	
Front	12.5 x 18 - 12 PR	9 x 16 - 16 PR	
Rear	16.9 X 28 - 12 PR	14 x 25 - 20 PR	
Steering			
Reliable hydraulically assisted power steering			
Travel Speeds			
Forward/Reverse Gear	1 st 5.4 Km/hr, 2 nd 8.6 Km/hr, 3 rd 19.9 Km/hr, 4 th 40 Km/hr		
Buckets			
Backhoe Bucket	Standard Capacity cu m	0.24	
	Width mm (in)	892 (35)	
	Optional Backhoe buckets cu m(in)	0.08 (12) 0.09 (18) 0.12 (21) 0.18 (28) 0.27 (38) 0.31 (42)	
Loader Bucket	Standard Capacity cu m	1.0	
	Width mm	2235	
Static Dimensions			
Overall Length	7338 mm	Overall Width	2330 mm
Overall Height	3762 mm	Cabin Height	2770 mm
Wheel Base	2130 mm	Ground Clearance	400 mm
Turning Radius			
	Over Tyres	Over Bucket	
A1. Inner Wheels not braked	m(ft)	8.4 (27'7")	11.1 (36'5")
B1. Inner Wheels braked	m(ft)	7.2 (23'8")	10.0 (32'10")
(with 12.5x18-12 PR tyre size fitment)			

Backhoe Performance - Range & Forces		Standard Dipper		Extending Dipper	
		Ret.	Ext.	Ret.	Ext.
A. Max. Dig Depth	mm (ft)	4741(15'6")	4741 (15'6")	5815 (19'11")	
B. Max. Reach-Ground Level To Slew centre	mm (ft)	5730 (18'10")	5730 (18'10")	7020 (23'11")	
C. Max. Loading Reach	mm (ft)	1996 (6'7")	1996 (6'7")	2924 (9'7")	
D. Max. Operating Height	mm (ft)	5659 (18'7")	5659 (18'7")	6637 (21'9")	
E. Max. Loading Height SAE	mm (ft)	3553(11'8")	3553 (11'8")	4531 (14'10")	
Max Load Height	mm (ft)	3871(12'8")	3817 (12'8")	4849 (15'11")	
F. Max. Straight Wall Dig Depth	mm (ft)	2602 (8'54")	2602 (8'54")	3991(13'09")	
G. Max. Bucket Rotation	deg	194°	194°	194°	
Dipper Tearout	Kgf	3946	3946	2644	
Bucket Tearout	Kgf	5219	5219	5219	
Hydraulic Lift Capacity	Kg	1384	1184	812	
Loader Performance		Standard Shovel	7-in-1 Shovel		
N. Max. Dump Height at 45°	mm (ft)	2708 (8'11")	2708 (8'11")		
O. Max. Loadover Height	mm (ft)	3310 (10'10")	3319 (10'10")		
P. Max. Hinge Pin Height	mm (ft)	3550 (11'8")	3550 (11'8")		
S. Max. Reach at Full Height	mm (ft)	1282 (4'3")	1282 (4'3")		
T. Max. Reach at Full Height-45°	mm (ft)	829 (2'9")	829 (2'9")		
U. Below Ground Dig Depth	mm (ft)	156 (6")	156 (6")		
Roll Back at Ground	deg	45°	45°		
Max Dump Angle	deg	57°	57°		
V. Max Operating Height	mm (ft)	4230 (13'11")	4298 (14'1")		
Shovel Breakout	kgf	4756	4580		
Arms Breakout	kgf	4685	4345		
Lift capacity to full height	kg	3465	3058		
Operating Weight					
Machine Kerb Weight				6885 KG	
Machine Kerb Weight with 4 WD				6985 KG	
Machine Kerb Weight with 4 WD 7 in 1				7315 KG	
Service Refill Capacities					
Fuel Tank	160 L	Transmission	15 L		
Engine Coolant	16 L	Rear Axle	17.5 L		
Engine Oil	9.1 L	Hydraulic Oil	90 L		
Optional Attachments / Features					
AC Cabin/ Canopy		Ditch Cleaning Bucket			
Four Wheel Drive (instead of 2WD)		1.2 cu m Loader Bucket			
7-in-1 Clam-shovel		Extendable Dipper			
Customised Range of Trenching Buckets					



Effective Date: May, 2017. All dimensions, weights and timings are variable within 1.5%, Company reserves the right to change specifications without prior notice. The illustration do not necessarily show the standard version of the machine. Product specifications and prices are subject to change without notice or obligation. The photographs and/or drawings in this document are for illustrative purposes only. Refer to the appropriate Operator's Manual for instruction on the proper use of this equipment. Failure to follow the appropriate Operator's Manual when using our equipment or to otherwise act irresponsibly may result in serious injury or death. The only warranty applicable to our equipment is the standard written warranty applicable to the particular product and sale and we make no other warranty, express or implied.

MANITOU
HANDLING YOUR WORLD

